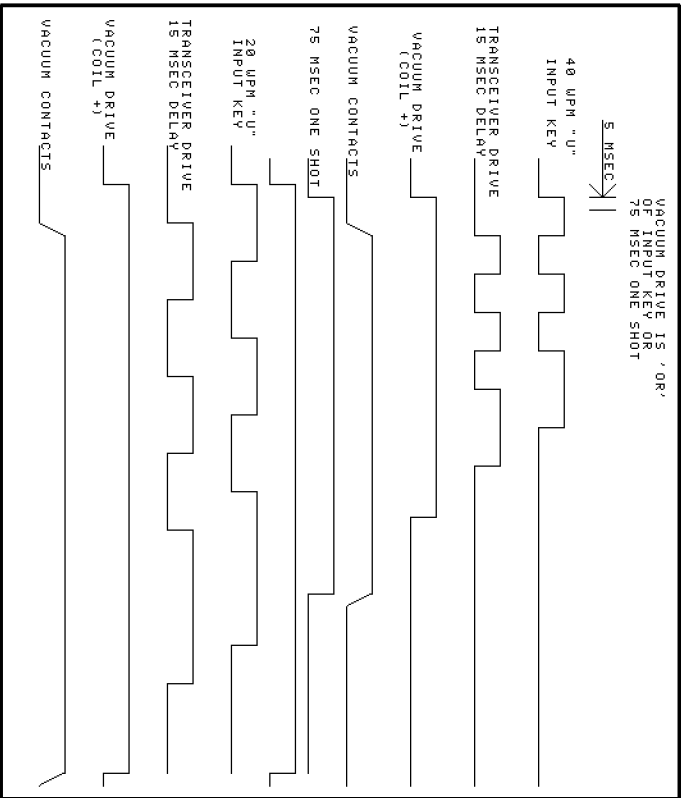
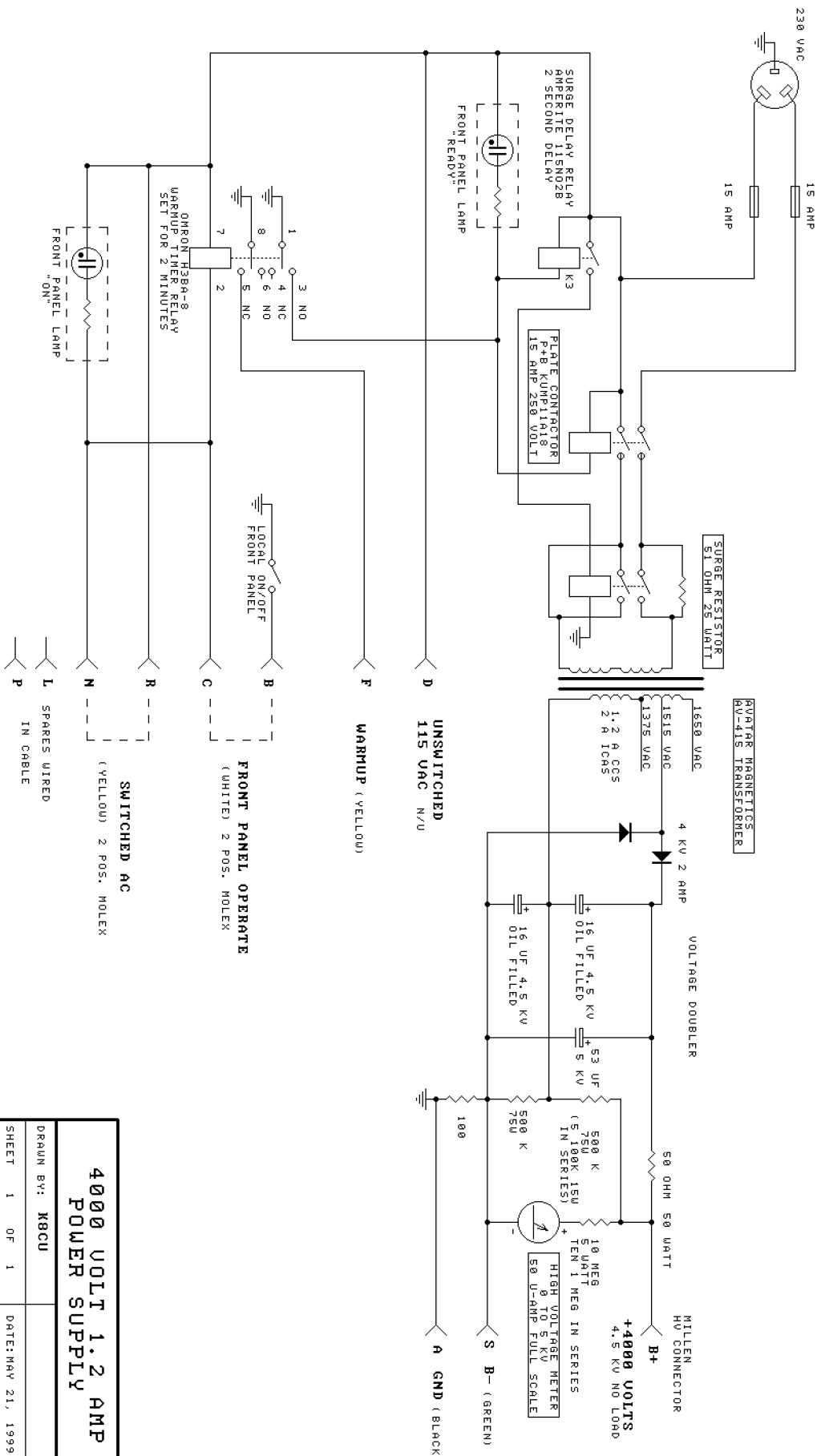


|                        |                    |
|------------------------|--------------------|
| <b>6S3SB AMPLIFIER</b> |                    |
| <b>50 MHZ</b>          |                    |
| DRAWN BY: KBCU         | LAMP LOGIC         |
| SHEET 2 OF 4           | DATE: 7 MARCH 1999 |





|                        |                    |
|------------------------|--------------------|
| <b>GS35B AMPLIFIER</b> |                    |
| <b>50 MHZ</b>          |                    |
| DRAWN BY: KBCU         | T/R CONTROL TIMING |
| SHEET 4 OF 4           | DATE: 13 FEB 1999  |



|   |                    |
|---|--------------------|
| <b>4000 VOLT 1.2 AMP<br/>POWER SUPPLY</b> |                    |
| DRAWN BY: KBCU                            |                    |
| SHEET 1 OF 1                              | DATE: MAY 21, 1999 |